

SciFlo® Smart Gas meter



NB-IoT
and
LoRaWAN
- on request

Application

SciFlo® is a compact static gas meter based on the ultrasonic measuring principle. SciFlo® is intended for volume measurement in residential buildings where gas is used as energy source. Volume is measured using bidirectional ultrasound, based on the time of flight method.

SciFlo® is encased in a nonpainted low-weight steel housing and is operated via 3 push buttons. A large backlit graphical 128 x 64-pixel display ensures easy reading.

Features

- G4/G6 in one meter
- Patented ultrasound sensors
- Nonpainted Steel Housing
- Very compact and low-weight
- IP67
- Exchangeable battery compartment

Configuration

- WM-Bus (868 MHz), EN 13757
- Dual Band ZigBee RF, 868MHz./2.4GHz. protocol acc. to SEP 1.4, offering full exchangeability
- Firmware Upgrade Over the Air (OTA)
- Optical interface (IEC 62056-21)
- AES Encryption

Specifications

Model	Q_{\max} m ³ /h	Q_{\min} m ³ /h	$P_{\max}^{1)}$ bar	ΔP mbar
SciFlo®	10	0.04	0,5	< 2

1) Operational pressure for valve: 0,2 bar

Battery lifetime

1 x C-Cell	Radio - wM-Bus	~ 15 years
1 x D-Cell	Radio - wM-Bus	~ 20 years
1 x D-Cell	ZigBee RF	~ 15 years

Temperature Range

T_{amb} : -25...+55°C

T_{gas} : -25...+55°C

T_{storage} : -30...+60°C

Display

Graphical display, menu driven, 9 digits

Resolutions: 0, 3 or 4 decimals

Conformity with

Directive 2014/32/EU (MID)

EN14236:2018

EN16314:2013 (integrated valve)

SMETS 2 (UK)

OIML D11 (EMC) (electronic index)

Directive 94/9/EC (ATEX)

OMS 4.02

ZigBee SEP 1.4

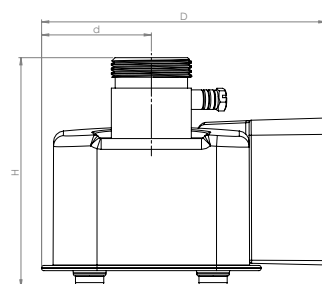
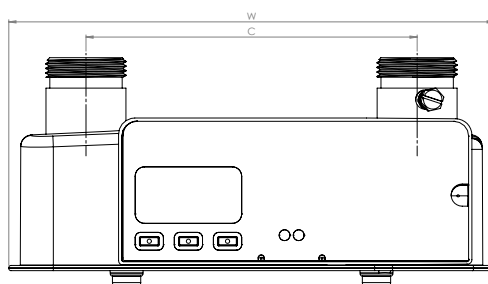
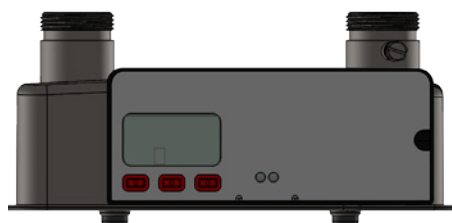
Approvals

MID NL122-MI002-T10801

ATEX  II 1/2G Ex ia/ib IIB T3

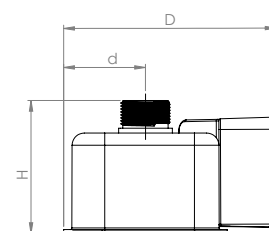
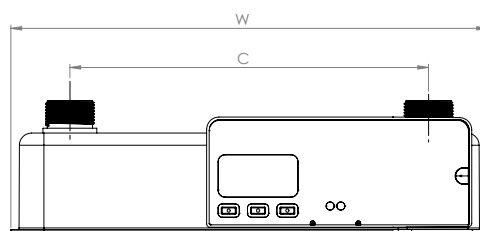
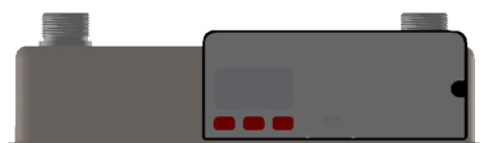
Mechanical connections

Two-pipe, 6 inch



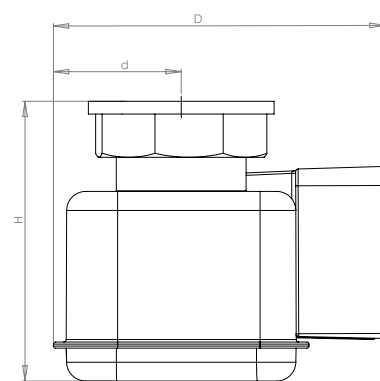
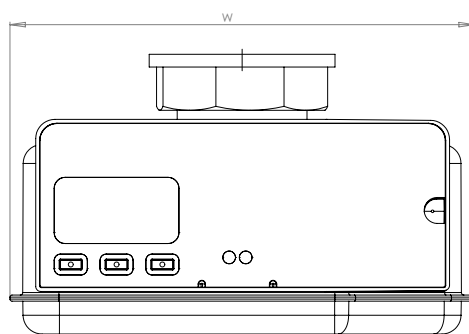
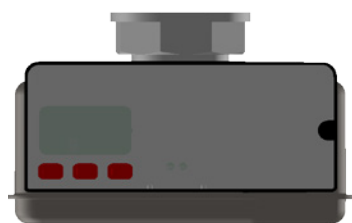
Model	W (mm)	C (mm)	D (mm)	d (mm)	H (mm)	Connections
SciFlo®	224	152,4	135	51	103	BS1"

Two-pipe, 220 mm



Model	W (mm)	C (mm)	D (mm)	d (mm)	H (mm)	Connections
SciFlo®	295	220	135	53	80	GM3/4"

Mono pipe (Preliminary)



Model	W (mm)	C (mm)	D (mm)	d (mm)	H (mm)	Connections
SciFlo®	183	-	135	53	110	G2"