

SciFlo® Smart Ultrasonic Gas Meter

LARGE DYNAMIC AREA (G4/G6)
INTEGRATED PREPAYMENT VALVE
PLUG & PLAY AMR FUNCTIONALITY

**NEW
GENERATION!**



APPLICATION

SciFlo® is a compact static gas meter based on the ultrasonic measuring principle. SciFlo® is intended for energy measurement in residential buildings where gas is used as the energy source. Volume is measured using bidirectional ultrasound, based on the time of flight method.

SciFlo® is encased in a stainless low-weight steel housing and can be operated via the 3 push buttons. The gas meter is IP65 as standard and can be upgraded to IP67. The gas meter has a backlit graphical 128 x 64-pixel display.

FEATURES

- Optimized flow channel with integrated valve
- Patented ultrasound sensors
- Stainless Steel Housing
- Very compact low-weight housing
- IP65 (Optional IP67)
- Plug & Play:
 - Encapsulated option boards
 - Encapsulated battery compartment

COMMUNICATION

- M-Bus and wM-Bus (868 MHz), EN 13757
- Double-band ZigBee RF, 868MHz./2.4MHz. protocol acc. to SEP 1.2, offering full exchangeability
- Firmware Upgrade Over the Air (OTA)
- Optical interface (IEC 62056-21)
- AES Encryption

SciFlo[®] Smart Ultrasonic Gas Meter

PRESSURE LOSS

Model	Q _{max.} m ³ /h	Q _{min.} m ³ /h	P _{max1)} bar	ΔP mbar
SciFlo [®]	10	0.04	0,5	<2

1) Operational pressure for valve: 0,2 bar

BATTERY LIFETIME

1XC	Radio - wM-Bus	~ 15 years
1XD	Radio - wM-Bus	~ 20 years

TEMPERATURE RANGE

T_{amb}: -25...+55°C T_{gas}: -25...+55°C

DISPLAY

Graphical display, menu driven, 9 digits

Resolutions: 0, 3 or 4 decimals

CONFORMITY WITH

EN14236:2007

SMETS 2 (UK)

EN12405-1:2006 (electronic index)


OIML D11 (EMC) (electronic index)

Directive 94/9/EC (ATEX)

OMS 4.02

APPROVALS

MID NL122-MI005-T10801

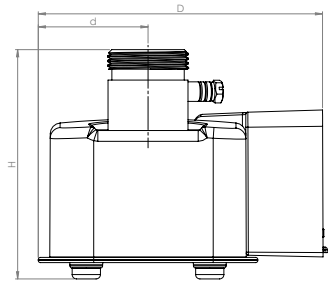
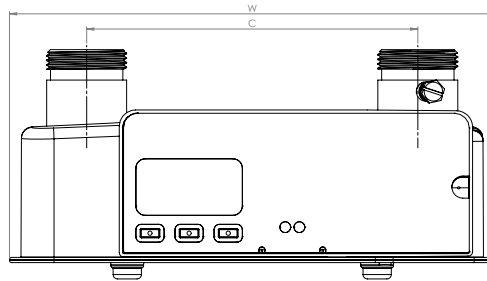
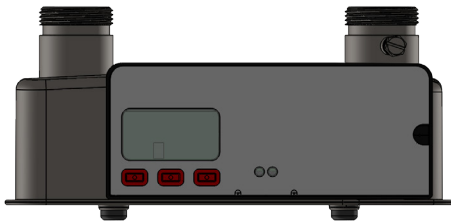
ATEX  II 1/2G Ex ia/ib IIB T3

FLONIDAN

SciFlo[®] Smart Ultrasonic Gas Meter

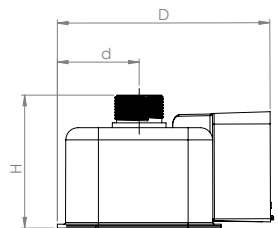
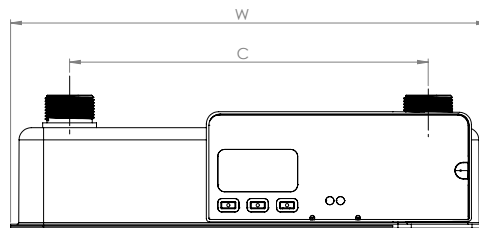
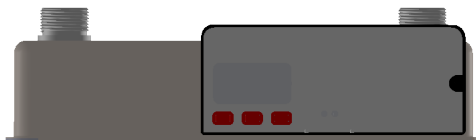
MECHANICAL CONNECTIONS

Two-pipe, 6 inch



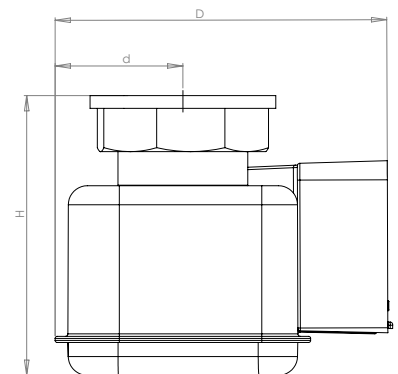
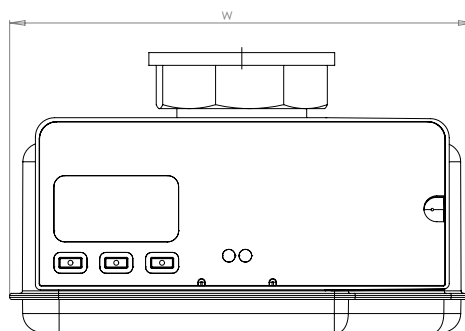
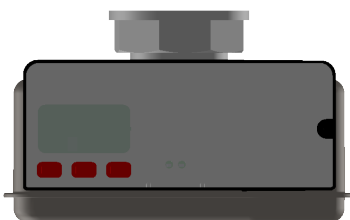
Model	W (mm)	C (mm)	D (mm)	d (mm)	H (mm)	Connections
SciFlo [®]	225	152,4	135	55	107	BS1"

Two-pipe, 220 mm



Model	W (mm)	C (mm)	D (mm)	d (mm)	H (mm)	Connections
SciFlo [®]	295	220	135	53	80	GM3/4"

Mono pipe



Model	W (mm)	C (mm)	D (mm)	d (mm)	H (mm)	Connections
SciFlo [®]	183	-	135	53	110	G2"

FLONIDAN